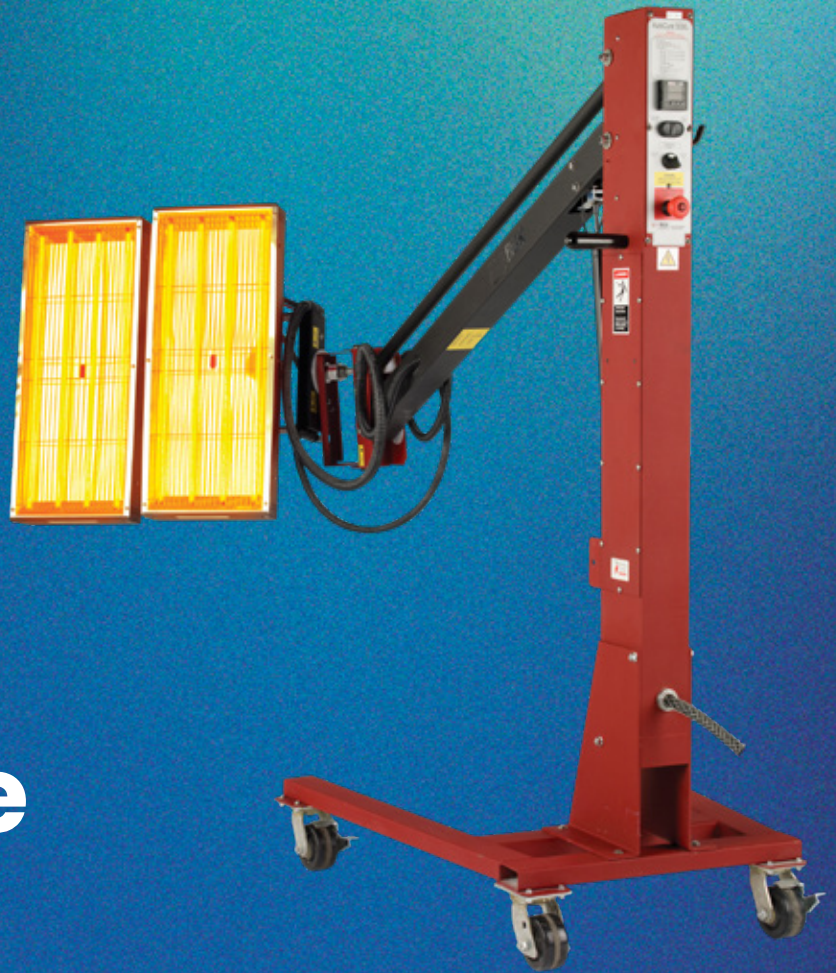


# Binks®

Full range  
of electric  
infrared  
products  
designed  
for the  
automotive  
industry



Binks® AUTOCURE™  
Infrared Emitters

# The Binks AUTOCURE™ line of Infrared Heaters provide users with a wide range of solutions to fit production needs.

The Binks 3000, 5000, 6000 & 8000 models – available in a variety of heater head sizes – feature infrared control technology and provides easy maneuverability and accuracy for curing spot repairs.

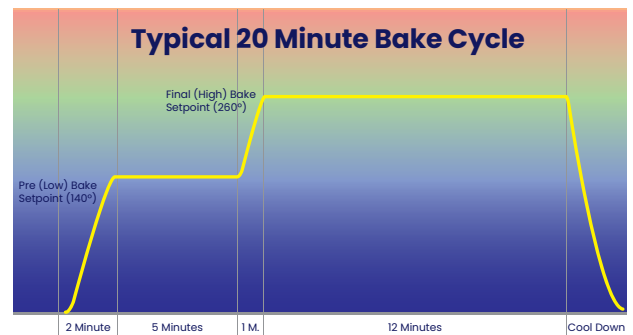
The Binks Model 6000 overhead heater is specifically designed for overhead XY gantry mounting. Each unit includes an electric linear actuator the operator uses for flexible heater positioning prior to the drying process.

AutoCure heaters meet or exceed all standards for wiring, testing and construction and are the industry leaders when it comes to critical curing performance and reliability.



## Features:

- Accurate surface temperature control to  $\pm 5^{\circ}\text{F}$
- Automatic control
- Laser Spot Sensor – Position Temperature Indicator
- Power assisted raise and lower
- Cycle-time-remaining display
- Automatic timed shut-off
- Heater head remains in place without locking handles
- Single or dual temperature setpoint capability
- Adjustable time temperature heat cycles
- Heating range to  $400^{\circ}\text{F}$  ( $204^{\circ}\text{C}$ )
- Locking mechanism to maintain arm position
- Adjustable controlled ramp rates to setpoint



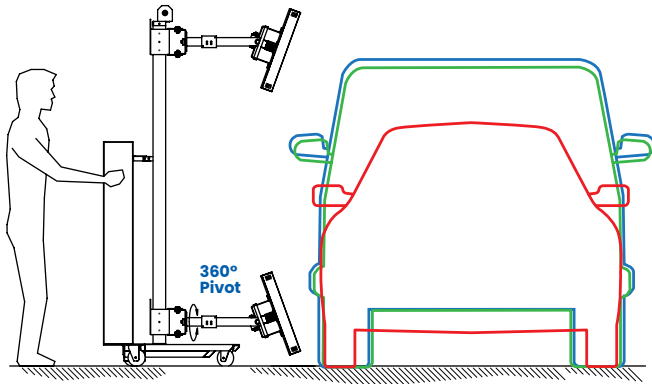
## Binks systems routinely experience lamp life of **10,000 hours and more**

Binks Infrared Emitters incorporate unique shortwave T3 emitters exclusively manufactured for Binks equipment. Providing the most efficient heat transfer – direct and penetrating – emitters maximize your process and productivity.

Halogen gas filled clear quartz tubes include tantalum discs, tungsten filaments, stainless steel leads and durable ceramic end seals, Binks Emitters provide direct, reflected and convective energy spanning all wavelengths. Rated with 5,000 hour lamp life, proprietary Binks systems routinely experience lamp life of 10,000 hours or more delivering great value.

## AutoCure™ 3000 Portable Heater

The AutoCure 3000 is a portable infrared heater for curing post & sill repairs. The unit has temperature control and laser-sighting technology and is designed for small spot repairs.



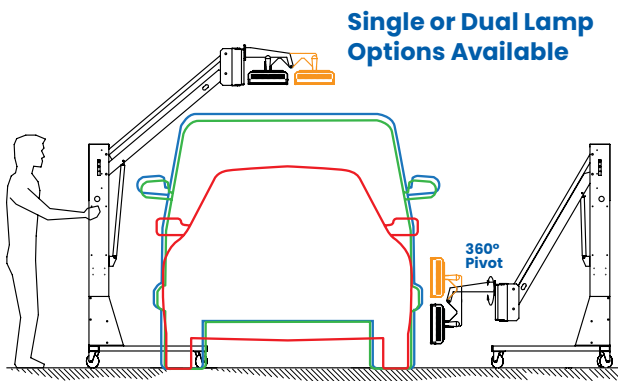
### Can be configured for:

- Cars
- SUVs, Trucks
- Commercial Trucks



## AutoCure™ 5000 Portable Heater

The AutoCure 5000 is a portable curing unit used for spot repairs and comes in a variety of sizes to meet application needs. The unit offers a heating range to 400°F (204°C) with an accuracy of  $\pm 10^\circ\text{F}$ . The unit comes standard with temperature control, laser-sighting technology, single or dual temperature set-point capability, automatic control, automated timed heat cycle, automatic shut-off and locking wheels to maintain position.



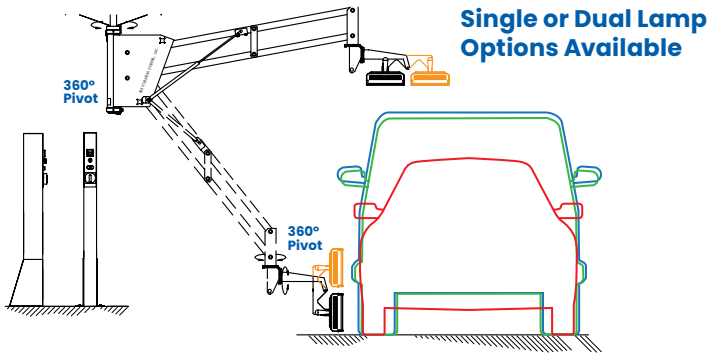
### Can be configured for:

- Cars
- SUVs, Trucks
- Commercial Trucks



## AutoCure™ 6000 Overhead Gantry Mounted Heater

The AutoCure 6000 Overhead unit is engineered for spot repairs using an overhead XY gantry system. Like our other units, the AutoCure 6000 comes in a variety of sizes and features temperature control and laser-sighting technology.

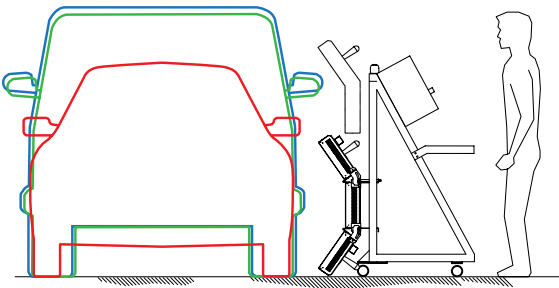


Can be configured for:

- Cars
- SUVs, Trucks
- Commercial Trucks

## AutoCure™ 8000 Portable Panel Heater

The Panel Heater is engineered specifically to dry complete panel sections. This portable unit has locking wheels to maintain position. Available in two standard sizes. As with all our AutoCure units, the 8000 unit features temperature control and laser-sighting technology.



Can be configured for:

- Cars
- SUVs, Trucks
- Commercial Trucks



# Binks®

For more information, visit [binks.com](https://www.binks.com).



**A powerful solution can start with a simple conversation**

We want to help build the best solution to your application challenges. Learn more about what we can offer by reaching out to the office nearest you.

**Americas** 1.800.992.4657  
**EMEA** 44.0.120.257.1111  
**China** 86.21.33730108  
**Japan Sales Office** 81.45.785.6421  
**Japan Binks/DeV** 81.45.785.6421  
**India/SE Asia** 44.0.120.257.1111

[marketing@binks.com](mailto:marketing@binks.com)  
[marketing-eu@binks.com](mailto:marketing-eu@binks.com)  
[mkt\\_cn@binks.com](mailto:mkt_cn@binks.com)  
[jp-rans-tokyosales@binks.com](mailto:jp-rans-tokyosales@binks.com)  
[jp-binks-devi@binks.com](mailto:jp-binks-devi@binks.com)  
[marketing-roa@binks.com](mailto:marketing-roa@binks.com)

©2025 Binks.  
Models and specifications subject to change without notice. All rights reserved.  
Form No. 04-520-01